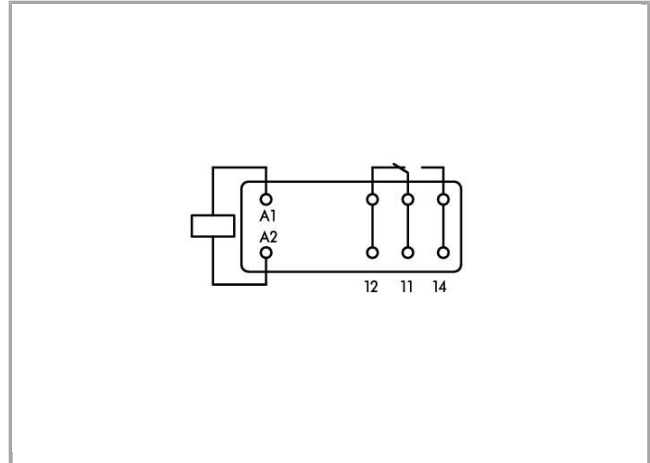
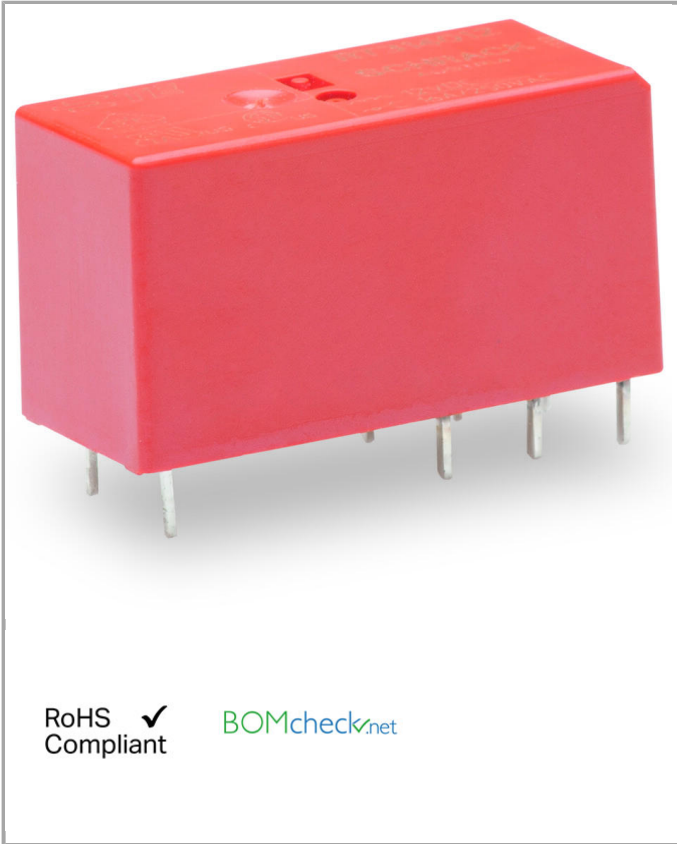


Data sheet | Item number: 788-174

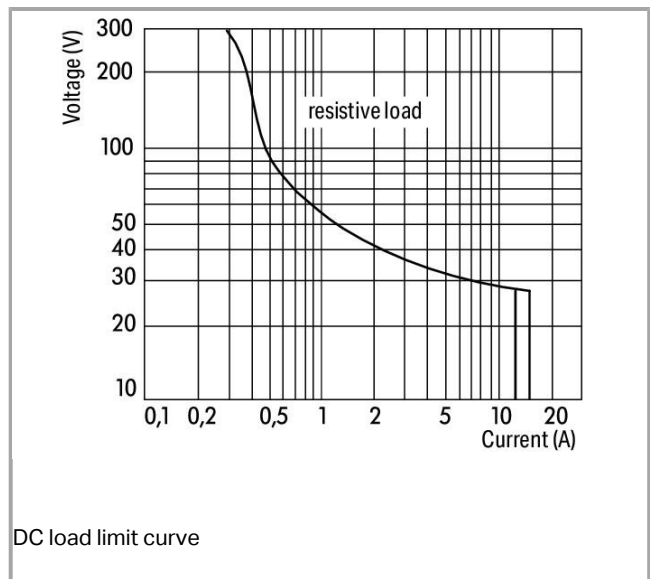
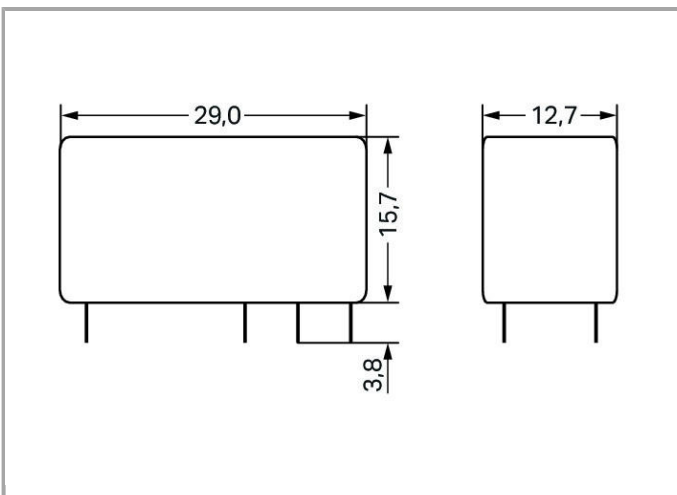
Basic relay; Nominal input voltage: 115 VAC; 1 changeover contact; Limiting continuous current: 16 A; Module width: 13 mm; Module height: 15 mm



788-174



RoHS Compliant



DC load limit curve

Data  
Technical Data

### Control circuit

Nominal input voltage $U_N$	AC 115 V
-----------------------------	----------

### Load circuit:

Number of changeover/switchover contacts	1
Contact material (relay)	AgNi 90/10
Limiting continuous current	16 A
Max. make current (resistive)	(AC) 30 A / 4 s
Max. switching voltage	AC 250 V
Max. switching power (resistive)	AC 4,000 VA; DC see load limit curve
Switching capacity	AC-15: 6 A / AC 250 V; DC-13: 2 A / DC 24 V
Recommended minimum load	12 V / 10 mA
Pull-in time (typ.)	8 ms
Drop-out time (typ.)	6 ms
Bounce time (typ)	6 ms
Electrical life (N.O.; resistive load; 23 °C)	$30 \times 10^3$ switching operations
Mechanical life (N.O.; resistive load; 23 °C)	$30 \times 10^6$ switching operations
Max. switching load with load/without load	$6 \text{ min}^{-1}$ / $1,200 \text{ min}^{-1}$

### Safety and protection:

Dielectric strength, control/load circuit (AC, 1 min)	5 kVrms
Dielectric strength open contact (AC, 1 min)	1 kVrms
Protection class	IP40

### Geometrical Data

Width	12.7 mm / 0.5 inch
Height from the surface	15.7 mm / 0.618 inch
Depth	29 mm / 1.142 inch

### Mechanical data

Type of mounting	Pluggable module
------------------	------------------

### Material Data

Weight	12.9 g
--------	--------

## Environmental Requirements

Surrounding air (operating) temperature at $U_N$	-40 ... 70 °C
Surrounding air (storage) temperature	-40 ... 85 °C

## Standards and specifications

Standards/specifications	EN 61810-1
--------------------------	------------

## Commercial data

Product Group	6 (Interface Electronics)
Country of origin	DE
GTIN	4050821867869
Customs Tariff No.	85364900990

## Compatible products

### General accessories



Item no.: 788-100

Relay socket; 1 changeover contact; for 15 mm basic relays

788-100

## Downloads

### Documentation

#### Bid Text

788-174 Zubehör Serie 788	Apr 4, 2012	doc 25.6 kB	Download
------------------------------	-------------	----------------	----------

#### Additional Information

Disposal; Electrical and electronic equipment, Packaging	V 1.0.0	pdf 265.8 kB	Download
--	---------	-----------------	----------

Subject to changes.